



World's Best Metal Detection Technologies
Multi-1Q 5FxB 3FxB Wi-Stream Bluetooth

Refer to the full-length Instruction Manual for detailed information.
Download from www.minelab.com

Getting Started Guide

600 | 800

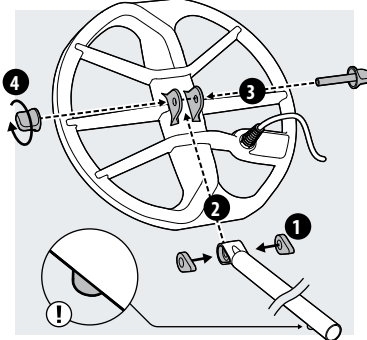
EQUINOX



Assembly | Follow the steps to put together your EQUINOX Series detector

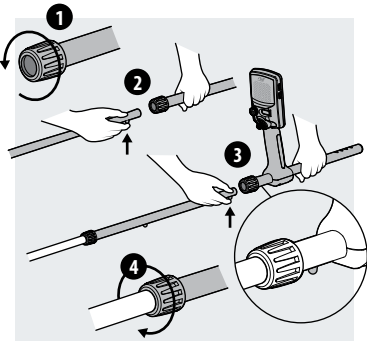
1. Attach coil to lower shaft

1. Insert the two rubber washers into the holes on either side of the yoke.
2. Slide the yoke into the yoke bracket on top of the coil.
3. Insert the plastic bolt through the yoke and the yoke bracket.
4. Fasten with the plastic bolt - Do not overtighten.



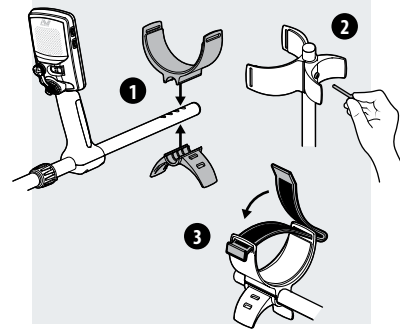
2. Assemble shafts

1. Loosen the twistlocks by rotating them counter-clockwise.
2. Press the spring loaded pin in the lower shaft and slide it into the middle shaft until the pin reaches the adjustment holes. The pin will click into place.
3. Attach the middle shaft to the upper shaft in the same way.
4. Lock the position of the shafts by rotating twistlocks clockwise.



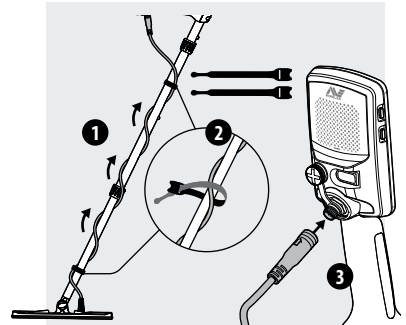
3. Attach armrest/stand

1. Place the armrest onto the top of the upper shaft. Position the armrest just below your elbow, then line up the central hole in the armrest with the nearest hole in the shaft.
2. Insert the screw through the stand, upper shaft and armrest. Tighten the screw carefully.
3. With the velcro side facing upwards, thread the armrest strap through both slots in the armrest. Ensure the end of the strap will be fastened outwards from your arm.



4. Connect coil

1. Wrap the coil cable around the lower and middle shaft enough times to take up the slack.
2. Use the velcro tabs provided to secure the coil cable against the shaft.
3. Align the coil connector and plug into the socket in the back of the control box, lightly tightening the retaining ring.



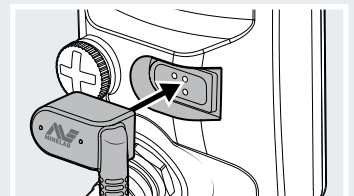
Audio

EQUINOX Series detectors have an in-built loudspeaker for detecting without headphones. A range of other audio options are available. Please refer to the full instruction manual for further information, including wireless options.

Charge battery

EQUINOX Series detectors have an internal Li-Ion rechargeable battery. Before first use, it is recommended that you fully charge the battery. For fastest charge time, turn the detector off during charging.

1. Connect the magnetic charging cable USB connector to any standard powered USB port.
2. Connect the magnetic charger connector to the socket on the rear of the detector user interface. The Charge Status LED at the top left of the control panel will flash steadily.
3. When charging is complete, the Charge Status LED will remain on.



The detector can be configured to operate with fundamental operating frequencies in the range of 5 kHz to 40 kHz.

OPERATING FREQUENCY

This equipment has been tested and found to comply with the limits for a Class B digital device, pursuant to part 15 of the FCC Rules. These limits are designed to provide reasonable protection against harmful interference in a residential installation. This equipment may cause harmful interference, and (2) this device must accept any interference received, including interference that may cause undesired operation. NOTE: Class B Devices. Operation is subject to the following two conditions: (1) this device may not cause harmful interference, and (2) this device must accept any interference received, including interference that may cause undesired operation. THIS DEVICE COMPLIES WITH PART 15 OF THE FCC RULES. Information to the User (FCC Part 15, 105)

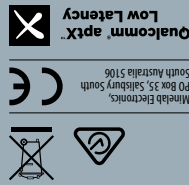
COMPLIANCE

Please refer to www.minelab.com/warranty-conditions for full warranty terms and conditions. Register your product warranty online at register.minelab.com

WARRANTY TERMS

For complete product specification and operational guidance, read the full-length Instruction Manual at www.minelab.com.

EQUINOX 800		EQUINOX 600	
Detect Modes	Park, Field, Beach, 6 x custom search profiles	Park, Field, Beach	6 x custom search profiles
Operating Frequencies (kHz)	5, 10, 15, Multi	5, 10, 15, Multi	5, 10, 15, Multi
Standard Headphones	3.5 mm (1/8") (32 ohms)	3.5 mm (1/8") (32 ohms)	3.5 mm (1/8") (32 ohms)
Waterproof	Waterproof to 3 m (10-feet)	Waterproof to 3 m (10-feet)	Waterproof to 3 m (10-feet)
Battery Life (approx.)	12 hours, full recharge time ≈ 4 hours	12 hours, full recharge time ≈ 4 hours	12 hours, full recharge time ≈ 4 hours
Standard Coil	EOX 11 Double-D smart coil	EOX 11 Double-D smart coil	EOX 11 Double-D smart coil



North, South & Central America
+1 630 401 8150
minelab@minelab.com

Middle East & Africa
+971 4 254 9995
minelab@minelab.com

Europe & Russia
+353 21 423 2352
minelab@minelab.com

Australia & Asia Pacific
+61 8 8238 0888
minelab@minelab.com

Minelab™, EQUINOX™, Wi-Stream™, Multi-1Q™, 5FxB™, 3FxB™ and 3FxB™ are trademarks of Minelab Electronics Pty. Ltd. Images and graphics are for illustration purposes only; product configuration and specifications may vary from those shown. Please refer to the product manual for detailed operation guidance. The Bluetooth™ word mark and logo are registered trademarks owned by the Bluetooth SIG, Inc. and any use of such marks by Minelab is under license. Qualcomm™ aptX™ is a product of Qualcomm Technologies International, Ltd.
4901-0248-3-EN

Quick Start | 4 easy steps to get started.

Before first use, it is recommended that you fully charge the battery for 4 hours.

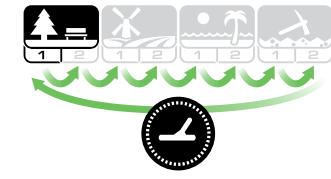
1. Turn on

Press the Power button on the side of the control panel.



2. Select a Detect Mode

Select the optimum Detect Mode Search Profile for your detecting location. (EQUINOX 800 shown).



3. Noise Cancel

Select Noise Cancel from the Settings Menu, then press to initiate an Auto Noise Cancel.

This will take approximately 8 seconds to complete.



4. Begin detecting!

Press to return to the detect screen, and begin detecting!



Detect Modes | Each Detect Mode has two adjustable Search Profiles with unique default settings.

Park		Field		Beach		Gold*	
Great for high-trash recreational areas, including most general detecting.		Ideal for detecting in historical fields for the widest range of target sizes.		Optimised for all salty conditions – dry sand, wet sand, surf, underwater.		Best suited for gold nugget prospecting in mineralised goldfield locations.	
General / Coins	Fine Jewellery	Coins / Artefacts	Fine Coins / Artefacts	Wet / Dry Sand	Underwater / Surf	Normal Ground	Difficult Ground

Control Panel | Adjust and view your detector settings.

This asterisk appears throughout the guide, indicating features only available on the EQUINOX 800 model.

Power

A short press of the Power button turns the detector on and off. A long press (5 seconds) restores the whole detector to factory settings.

Backlight

Selects the backlight brightness* or turns the backlight on and off. The backlight icon will appear when the backlight is on.

Sensitivity Indicator

Indicates approximate sensitivity level (25 levels). Press and from the detect screen to adjust sensitivity.

Detect Mode

Selects Detect Modes: Park, Field, Beach, and Gold*. Each Detect Mode has 2 customisable Search Profiles.



A short press of the Detect Mode button scrolls through the Detect Modes.

Press and hold for 5 seconds to restore factory preset for the active Search Profile.

Detect Mode



Search Profiles

Detector Settings Menu

A short press of the Settings button accesses and scrolls through the Detector Settings menu.

A long press when in the Settings Menu accesses Advanced Settings if available.

Press and with a setting selected to adjust its value.

Setting



Advanced Setting

Setting	Advanced Setting
Noise Cancel Auto Manual*	
Ground Balance Auto Manual	
Volume Adjust 0 to 25	Tone Volume Ferrous Non-ferrous*
Threshold Level 0 to 25	Threshold Pitch* 0 to 25
Target Tone 1, 2, 5, and 50	Tone Pitch Ferrous Non-ferrous*
Accept/Reject 50 Segment resolution	Tone Break Ferrous Non-ferrous*
Recovery Speed 1 to 3 1 to 8*	Iron Bias 0 to 3 0 to 9*

All-Metal

Press the All-Metal button to turn the selected discrimination pattern on and off for target confirmation.



Battery Status

LED indicates charge status during charging. You can go detecting as usual when connected to a USB power bank, just like a spare battery.

70% – 100%

30% – 70%

<30% battery icon"/> <30%

<5%

Flashing: Charging
 Constant on: Charged

Charge the battery when the battery icon begins to flash.



Wireless Audio

A short press of the Wireless button turns Wireless on and off. A long press pairs wireless audio devices.

Any Bluetooth® headphones

aptX™ Low Latency headphones

WM 08 Wireless Audio Module

Up to 4 WM 08 audio modules can be paired and in use simultaneously.

1 device paired

3 devices paired

Depth Indicator

Indicates the estimated depth of a detected target. (5 levels)

Tracking

Indicates that Tracking ground balance is active.

User Profile*

A long press of the User Profile button saves the current detector settings.

A short press turns the saved User Profile on or off.

Notch Discrimination

High resolution 50 segment (–9 to 40) discrimination scale for accurate, stable target identification.

When a target is detected, press the Accept/Reject button to instantly accept or reject it.

You can also create discrimination patterns via the Settings Menu.

Press or to navigate to a segment, then press the Accept/Reject button to accept or reject it.

-5

Target IDs –9 to 0 indicate ferrous targets, e.g. –5.

32

Target IDs 1 to 40 indicate non-ferrous targets, e.g. 32.

Frequency

Displays the current operating Frequency.

Press the Frequency button any time to scroll through the available operating frequencies for the active Search Profile.

15 kHz

Displays the current selected single frequency in kHz: 5, 10, 15, 20*, or 40*.

Multi

Displays a rectangle when operating in Simultaneous Multi-Frequency.

Pinpoint

Assists in locating the exact position of a target prior to recovery.



Press the Pinpoint/Detect button to enable pinpoint mode. Press again to return to the Detect Screen.